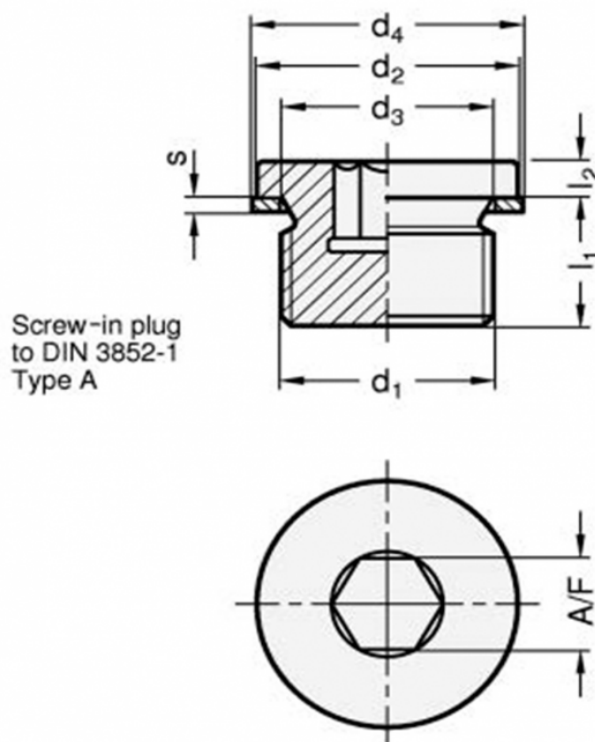


Article number: 20908STM2015A

Description: E+G Threaded plug DIN 908-ST-M20x15-A

## Measures



A/F	= 10
d1	= M20x15
d2h14	= 25
d3	= 20.3
d4	= 24
l1	= 14
l2	= 4
s	= 1.5

Weight in (g) = 38